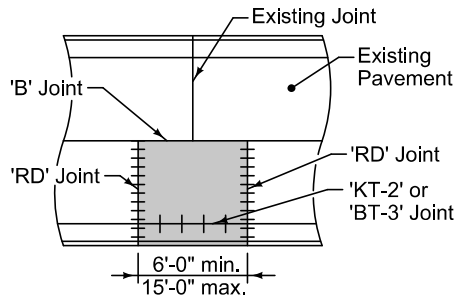
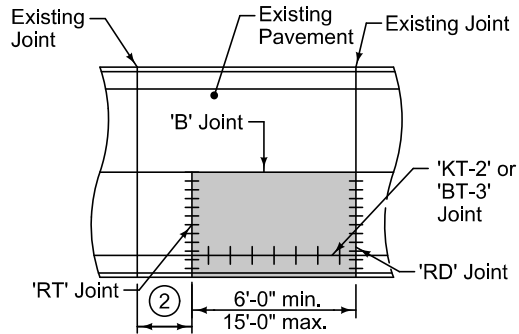


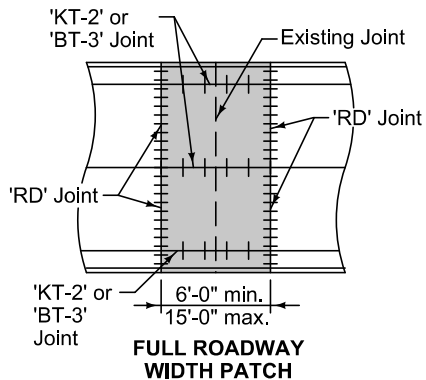
GUTTERLINE JOINTING



ONE PANEL WIDTH PATCH WITH OPPOSING JOINT

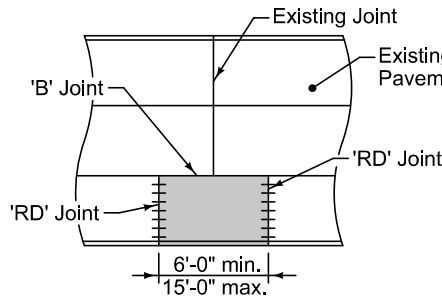


ONE PANEL WIDTH PATCH NO OPPOSING JOINT

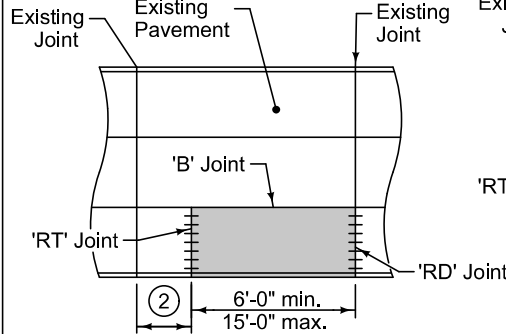


FULL ROADWAY WIDTH PATCH

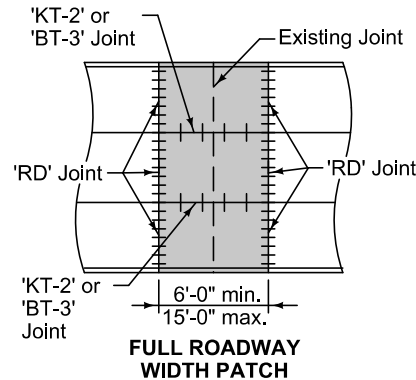
THIRD POINT JOINTING ①



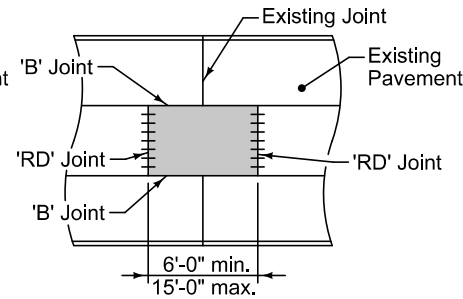
OUTSIDE PANEL PATCH WITH OPPOSING JOINT



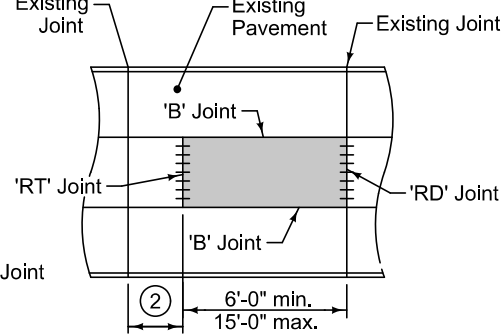
OUTSIDE PANEL PATCH NO OPPOSING JOINT



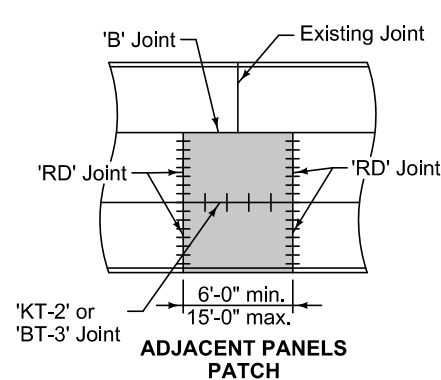
FULL ROADWAY WIDTH PATCH



CENTER PANEL PATCH WITH OPPOSING JOINTS



CENTER PANEL PATCH NO OPPOSING JOINT



ADJACENT PANELS PATCH

- ① Patches on roadways with quarter point jointing will be similar to third point jointing details.
- ② Minimum distance between existing joint and patch is 6 feet. If distance is less than 6 feet, extend patch to existing joint.
- ③ If subgrade or subbase material is required below patch, bring material to a level 2 inches below bottom of existing pavement.

LONGITUDINAL SECTION THRU PCC PATCH

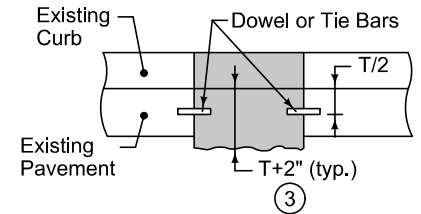


FIGURE 7040.101 SHEET 1 OF 1

	REVISION
	2 10-17-17
	SUDAS 7040.101
SHEET 1 of 1	

SUDAS Standard Specifications

FULL DEPTH PCC PATCHES
LESS THAN OR EQUAL TO 15' LONG